



Tiltable TV Wall Mount Instruction Manual

Model: Y4TBA2047.1

- Tiltable LCD / LED / Plasma TV Wall Mount
- TV Size: 20" - 55" (*)
- Max Weight: 120 lbs or 55 kgs
- Tilt: +/- 15
- VESA Hole Mount Pattern: 75, 100, 200x100
200, 200x400, and 400
- Must attach to wood studs
- Customer service: Please go to Yes4All.com

© 2011 - 2012 Yes4All LLC. All rights reserved

(*) fit TV within the 75x75 - 400x400 mm spec.

Page 1 of 7

CAUTION



Thanks for choosing Yes4All TV Wall Mount. The Y4TB2047 is designed to mount TV weighting less than 125 lbs to a vertical wall. This weight includes the TV and all accessories. Use with products heavier than 125 lbs may result in instability causing possible product damage & personal serious injury.

Read this instruction fully before installation of this mount. If you do not fully understand the instruction, or have any doubts about the safety of the installation, please consult a qualified to install this mount. Make sure there are no defective or missing parts. Do not use defective parts. Yes4All can not be liable for property damage or injury caused by improper mounting, improper assembly, lifting or improper use of this product.

This product shall NOT be mounted on steel stud walls, correct walls, or cinder block walls.



The wall you plan to use to affix the Yes4All mount to must be able to support more than 3 times the weight of the TV sets & the wall mount combined. Do not use this product for any purpose other than to mount a flat panel TV on a vertical wall as mentioned in this manual. Improper installation may cause damage to your TV or serious injury.



WARNING! This product contains small items that could be a choking hazard if swallowed. Keep them away from young children!

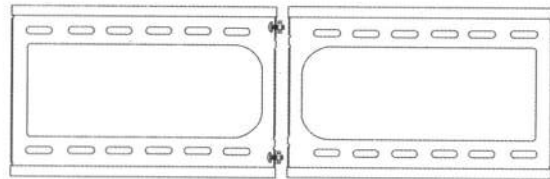
Hardware & procedures for multiple mounting configurations are included. Choose the correct configuration to suit your needs. Not all hardware included will be used.

REQUIRED TOOLS

- Phillip head screw driver.
- Stud finder for dry wall with support wooden studs
- Socket wrench
- Power drill or Portable drill w/ drill bit

Page 2 of 7

SUPPLIED PARTS & HARDWARE



(a) Wall Plate set w/ attached screws & nuts x 1



(b) TV Hook - bottom x 2



(c) TV Hook -top with attached screws, nuts & washer x 2

HARDWARE PACK:



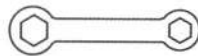
(d) Stud bolt x 4



(e) Wall anchor x 4



(f) Allen wrench x 1



(g) Hex key x 1



(h) Bolt (M4x12) x 4



(i) Bolt (M5x12) x 4



(j) Bolt (M6x12) x 4



(k) Bolt (M5x12) x 4



(l) Bolt (M4x30) x 4



(m) Bolt (M5x30) x 4



(n) Bolt (M6x35) x 4



(o) Bolt (M8x40) x 4



(p) M4 washer x 4



(q) M5 Washer x 4



(r) M6 Washer x 4



(s) M8 Washer x 4



(t) M4 locked washer x 4



(u) M5 locked washer x 4



(v) M6 locked washer x 4



(x) M8 locked washer x 4



(y) M4 / M5 spacer x 4



(z) M6 / M8 spacer x 4

STEP 1: CONNECT THE LEFT & RIGHT WALL MOUNT TOGETHER

DO NOT OVERTIGHTEN IT, OVERTIGHTEN WILL CAUSE THE WALL PANEL TO APPEAR CROOKED (1.2)

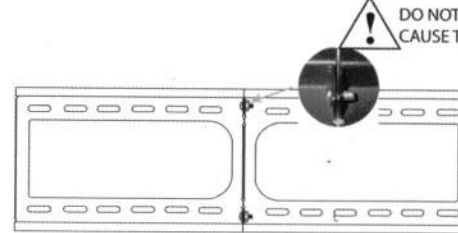


Diagram 1.1

Use the screws & nuts on the Wall Plate set (a) to connect the left & right wall plate units together

In case you already over tighten it, just leave it alone, when you mount the wall panel back to the wall, it will straighten it back out



Diagram 1.2

STEP 2: CONNECT TOP & BOTTOM TV HOOKS TOGETHER

Step 2.1: Untighten the nuts, screws, & washer out from TV Hook - top (c)

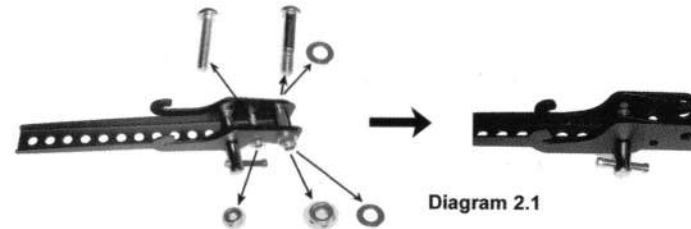
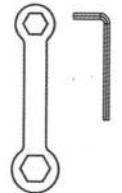


Diagram 2.1

TOOLS



Step 2.2: Put the TV Hook - top (c) and TV Hook - bottom (b) together using the same screws, nuts & washers that you just took out

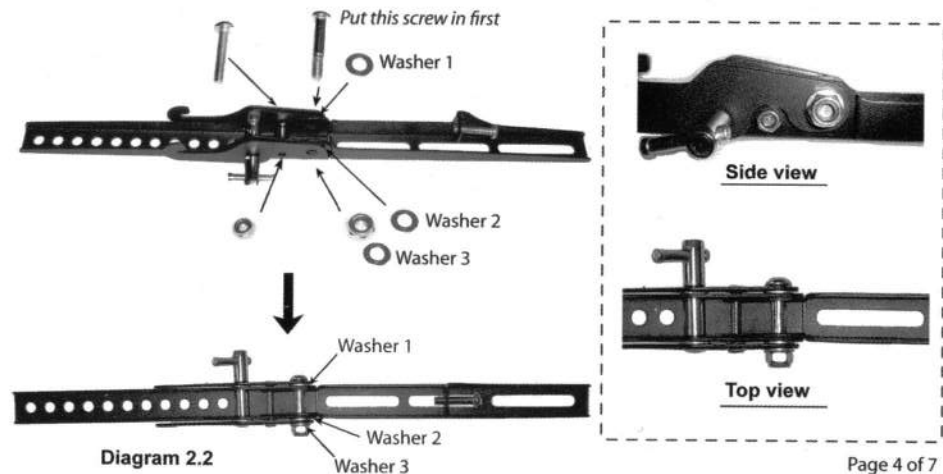


Diagram 2.2

Page 4 of 7

STEP 3: WALL PLATE INSTALLATION - WOOD STUD MOUNTING

Required Tools



The Wall Plate (a) must be mounted to two wood studs at least 16" apart. Use high quality stud sensor to locate two adjacent studs and mark their locations. Locate the center of each stud using an awl or thin nail (3.a.). Pre-drill a perpendicular hole at the desired height in each stud. Use the leveler to make sure these holes are level with each other.

Then use the Wall Plate (a) as template to mark the location of the lower holes on each stud. Drill 2.5" deep holes using 3/16" drill bit in the marked locations (3.b). Attach the wall plate to the wall using the four Stud Bolts (d). Make sure that the center of the Wall Plate in between the two adjacent studs and the surface of the

Note: For concrete wall, use 1/2" drill bit & drill 2.5" deep.

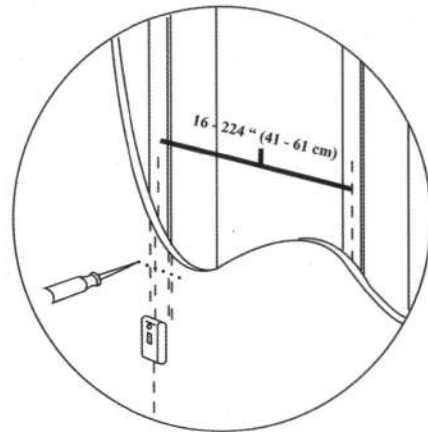


Diagram 3.a

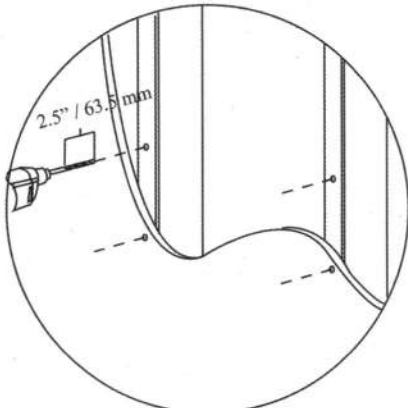


Diagram 3.b

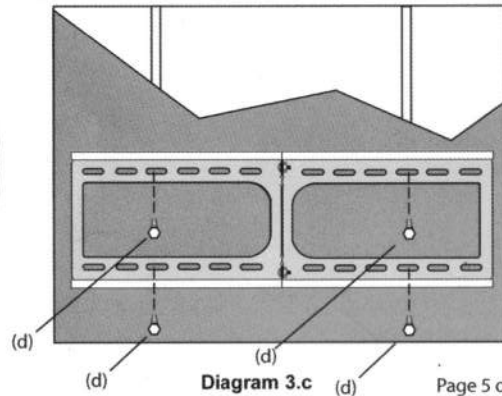


Diagram 3.c

STEP 4: DISPLAY BRACKET INSTALLATION

To ensure optimal installation, this kit includes various screws of different diameters and lengths

First, place your TV screen down on a soft, flat surface that won't damage your screen. Next, determine the correct diameter of the bolt for your TV. Gently hand thread the Bolt (h, i, j, k, l, m, n, o) into the proper threaded hole on the back of the TV (see TV owner guide / manual for location). There should be no resistance for the correct diameter bolt. Once the correct bolt is selected, choose the correct washer that should go with your selected bolt. See diagram below for more detail.

Note: If you display has a curved back or a recessed thread mounting point, a spacer must be used along with the correct bolt diameter.

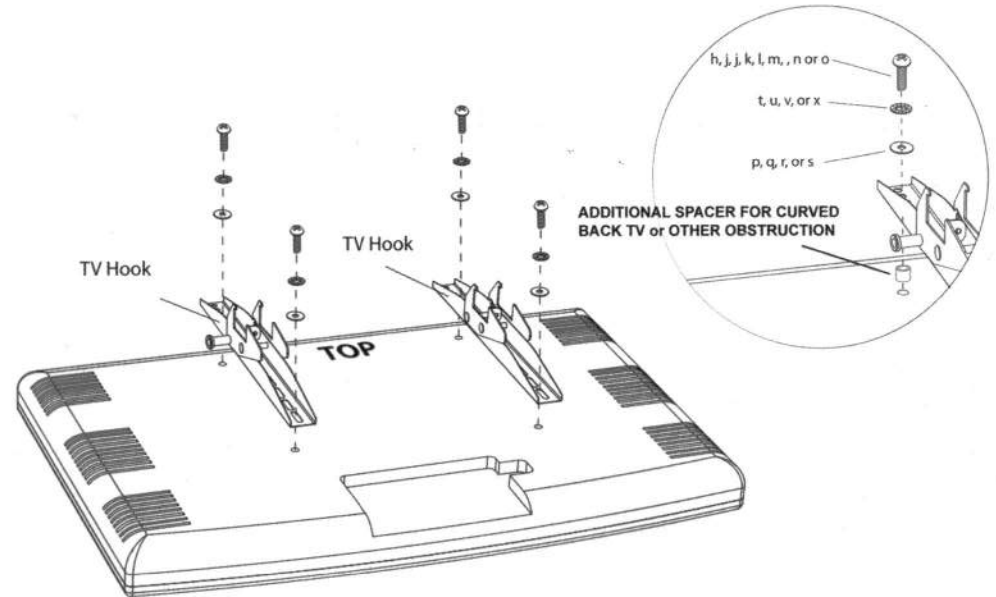



Diagram 4.a

Warning: Please select the mounting screws with great care. While tightening, make sure the bolts used are not able to more than the thread session on the mounting point in the back of your TV or it may damage your TV screen.



STEP 5: ATTACH MONITOR TO WALL PLATE

Warning: Most TVs require 2 people to lift. Please lift your TV by two people.
 **We are not responsible for any personal injury or damage by improper installation or lifting.**

First hook the Monitor Brackets (b-c) over the top of the Wall Plate (a), then let the bottom of the Monitor Bracket (b-c) rotate to the bottom of the Wall Plate (a) as shown (5.a). The TV Rail could be tilted up & down by approximately 15 degree. If you need adjustment, loose the knob (5.a.) and then pull or push the rail until it stay at the desired position. Once the dired level of tilt is achieved, re-tighten the mount by turning the tention knobs. Next turn the safety screw until it touch the bottom bar of the Wall Plate (a)

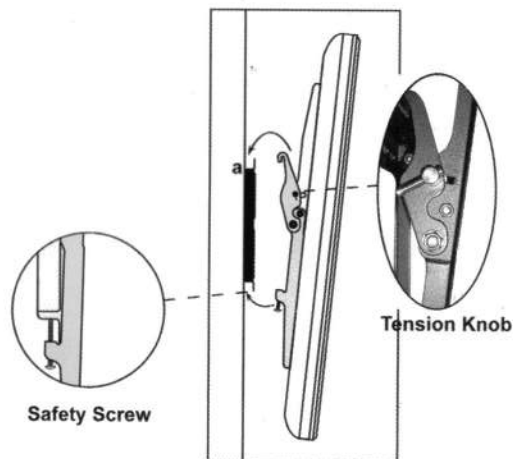


Diagram 5.a

TENDING INSTRUCTION

Please check whether screws are fixed well each two months. If you have any doubts about the safety of the installation, please consult a qualified installation contractor.

YES4ALL™ RETURN, REFUND & NEW / EXCITING PRODUCTS

Having problem with Yes4All Products? Contact customer service at Yes4All.com for direct assistance

Visit Yes4All.com for new / exciting products & get up to 10% off

1. X-Safe Resistance Bands

Single resistance band has hurt so many people badly, that why Yes4All - the world safest resistance band leader came up with the X-Safe (patented) resistance band to protect you & your love one. Go to Yes4All.com website to learn more

2. Other Exercise Equipments

We have Chin Up Bar (all kinds for all doors & Wall), Dumbbells from 40 lbs - 60 lbs, Kettlebells, Yoga Mat (EVA, PVC), Yoga Ball 55, 65, 75 cm, & many other world class exercise equipment for you at the lowest price.

3. TV Wall Mount & Others

We are now # 1 TV Wall Mount seller on Ebay, visit Yes4All.com to learn more & get the best discount.

Copyright 2010- 2012 © Yes4All, LLC.